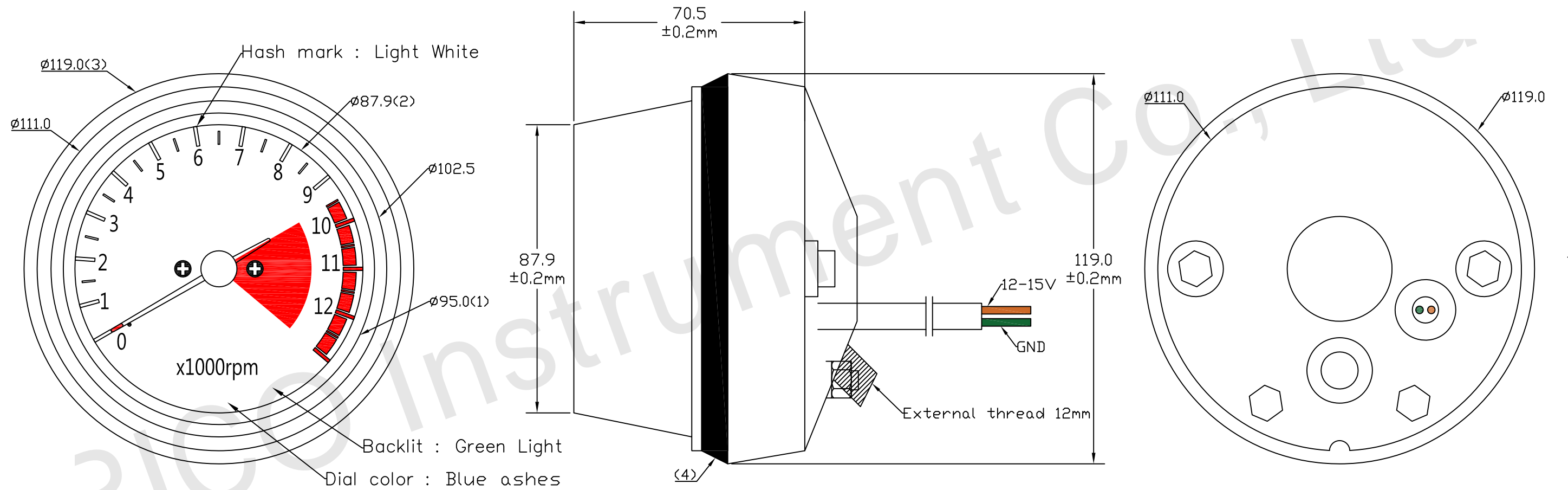


RevNo	Revision note	Date	Signature	Checked
A				

NOTES:

1. Operating voltage : 12-15V
2. Check voltage : $13.5V \pm 0.1V$
3. Check temp °C : $20^{\circ}C \pm 5^{\circ}C$
4. Operating temperature : $-20^{\circ}C$ to $85^{\circ}C$
5. Power consumption : 0.25A
6. Ingress Protection Ratings (IP) : IP67
7. Display range : 0-12000 rpm



UNIT: mm



瑞克儀錶有限公司 RICO Instrument Co., Ltd.

NO.	PART NAME	DESCRIPTION	COLOR	Q'TY	REMARKS
8					
7					
6					
5					
4	Washer	Rubber	Black	1	
3	Housing	Stainless Steel 430	Silver	1	
2	Lens	Acrylic	Transparent	1	Visual Area
1	Bezel	Stainless Steel 430	Black	1	

FILE NAME	SHEET	SCALE
CB750 RPM Datasheet.dwg		
SIZE	70.5mm X 119mm	
DRAWN	10/11/2020	
CHECK		
APPR.	10/11/2020	
ISSUED	10/11/2020	
REV	A	
CONTRACT NO		
DWG NO		CB750 RPM - A