

MXS Marine Series Fuel/Water Level Meter 12-24V

φ 52mm

Figure 1.

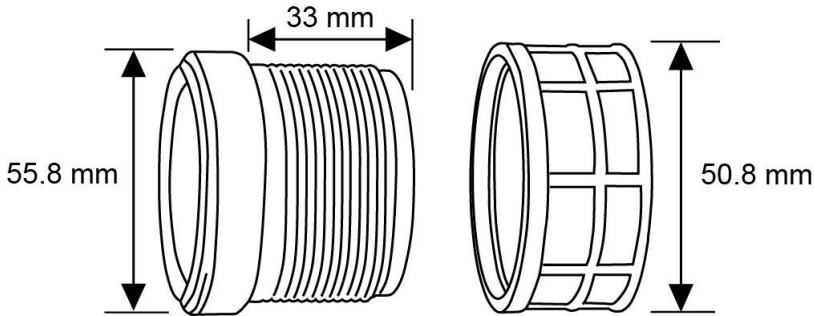
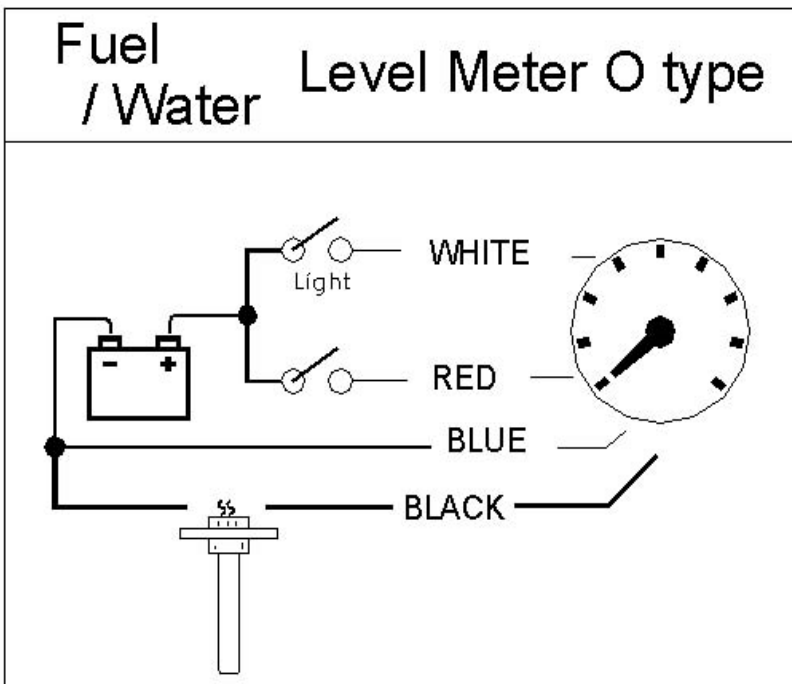


Figure 2.



Inside the box:

1. Fuel/Water level meter x 1
2. Meter fasten ring x 1
3. Meter wiring harness x 1
4. Manual x 1

Supply voltage: 12~24v

1. The product is advised to be installed by a person specialising in the installation of such devices. If you wish to carry out the installation yourself, please read the following instructions carefully, or contact your supplier for assistance.
2. Before installation, please make sure that the boat is stationary; the engine is switched off and cool.
3. Choose the best mounting position for your particular boat. Do not mount the gauge in a position that will impair visibility or interfere with driving. Before drilling into the mounting surface, look for any hidden wiring or other components that could be damaged by the drill bit as it passes through. See **Figure 1.** for reference.
4. After mounting the gauge, please see the enclosed installation diagram.
Caution : Incorrect connections can lead to short circuits. The cable must only be connected in accordance with the electrical terminal connection diagram. See **Figure 2.** for reference.
5. In case of any abnormal situation occurred, please ensure the sensor wire (if sensor is required) of the gauge is securely connected with ground terminal.

- ※ Technical details subject to change without notice.
- ※ Sensors sold separately.