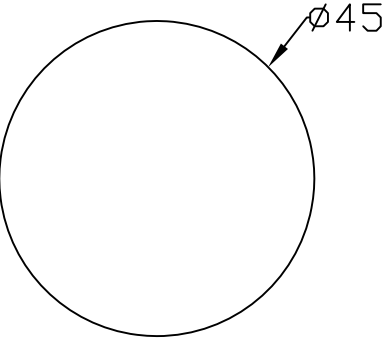


RevNo	Revision note	Date	Signature	Checked
A				

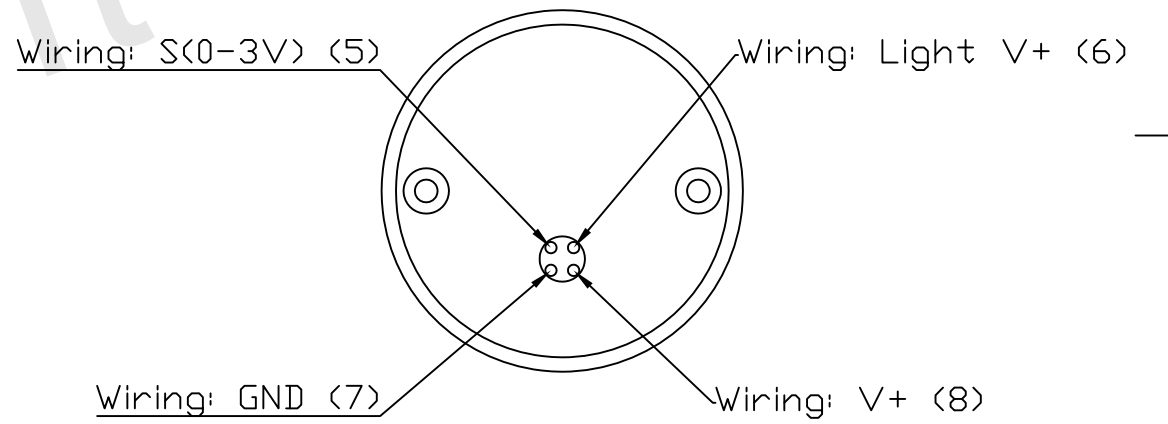
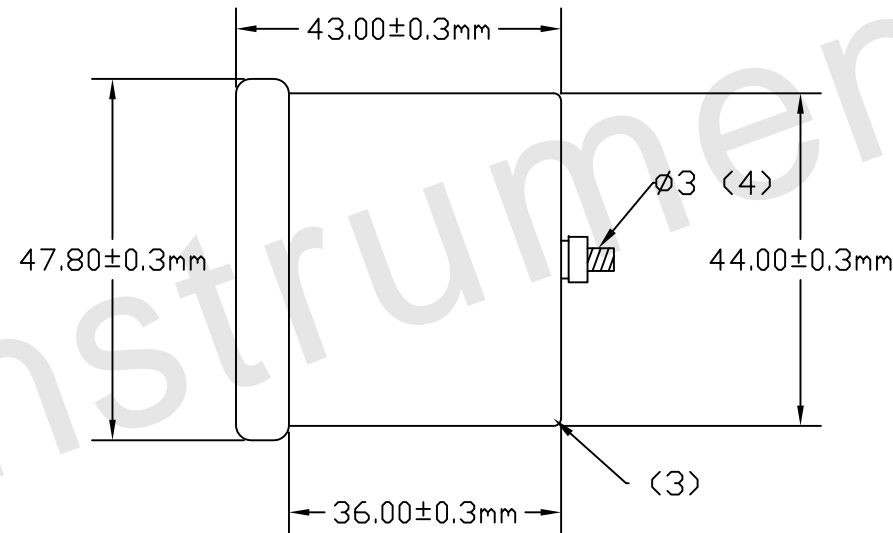
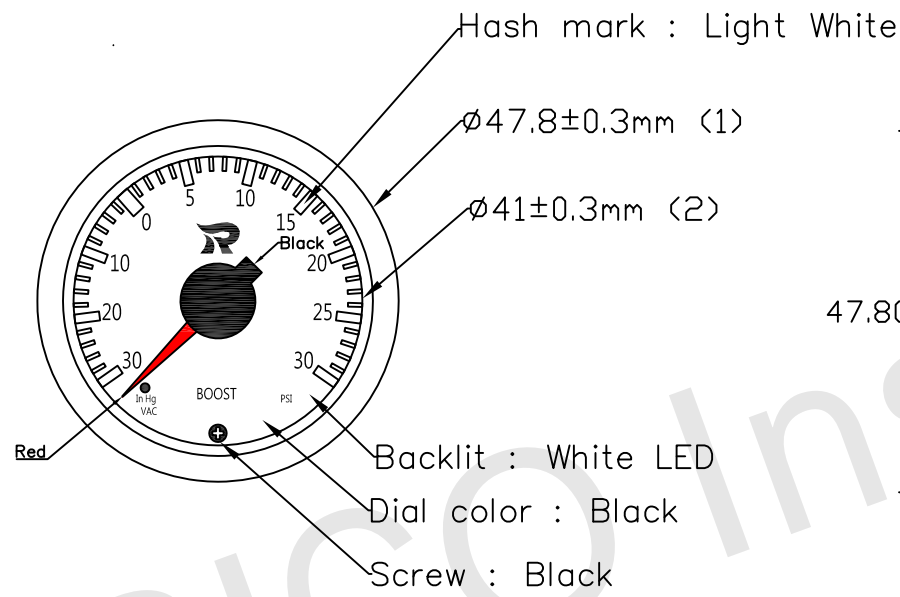
NOTES:

1. Operating voltage : 12-15V
2. Check voltage : 13.5V±0.1V
3. Check temp °C : 20°C±5°C
4. Operating temperature : -20°C to 85°C
5. Power consumption : 75mA
6. Certification : CE、FCC
7. Display range : 30inHg-0-30PSI




Recommended Panel Cut-Out

RoHS



UNIT: mm

NO.	PART NAME	DESCRIPTION	COLOR	Q'TY	REMARKS
8	Wire	UL 24AWG	Red	1	
7	Wire	UL 24AWG	Black	1	
6	Wire	UL 24AWG	Yellow	1	
5	Wire	UL 24AWG	White	1	
4	Screw	Copper	Copper	2	Fixed tripod
3	Housing	ABS	Black	1	
2	Lens	Acrylic	Transparent	1	Visual Area
1	Bezel	Strong iron	Black	1	

		馥儀電機有限公司 FRUI Electric Co., Ltd. 瑞克儀錶有限公司 RICO Instrument Co., Ltd.	
FILE NAME	45mm BOOST Datasheet.dwg	SHEET	SCALE
SIZE	43mm X 44mm		1:1
DRAWN	29/01/2019		
CHECK	Bruce Chen		
APPR.	29/01/2019		
ISSUED	29/01/2019		
REV	A	DWG NO	45mm BOOST - A
CONTRACT NO			