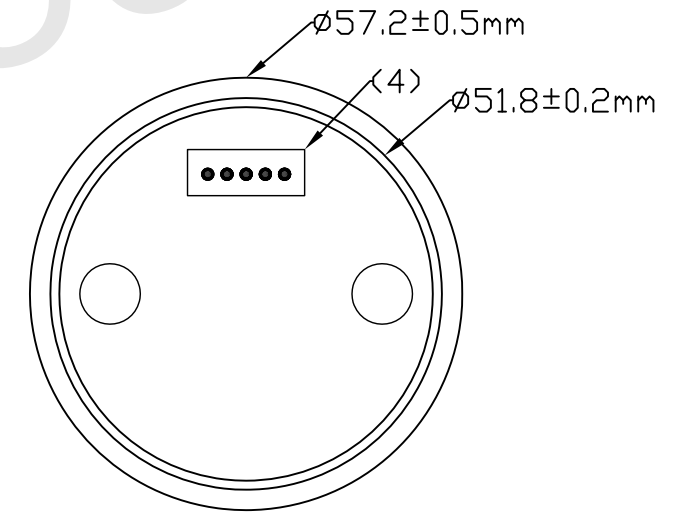
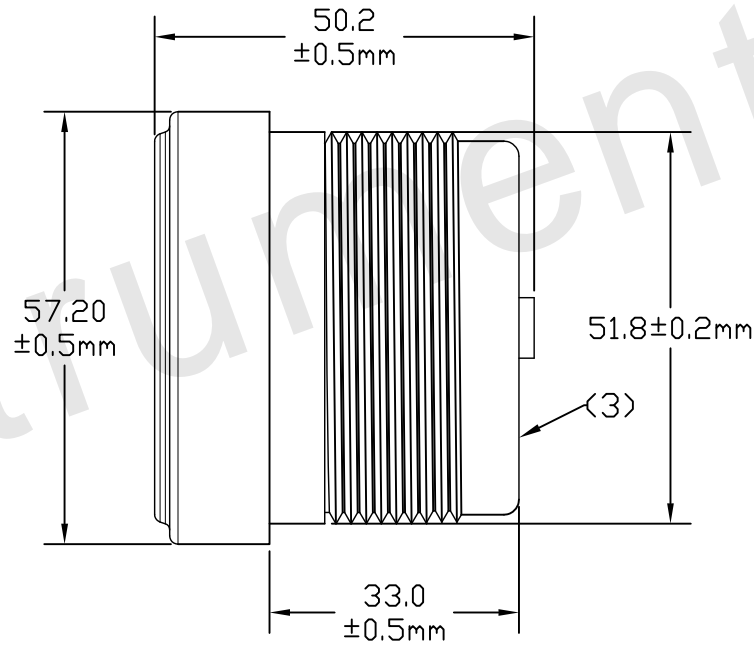
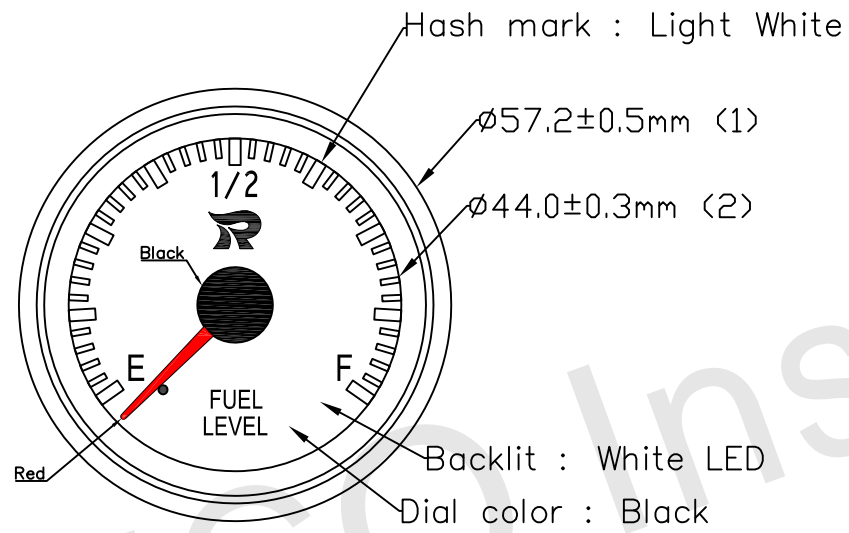
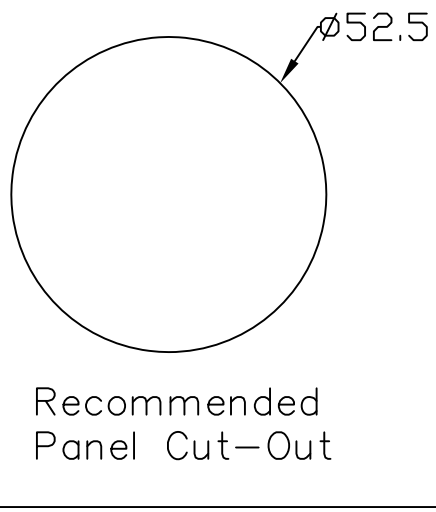


RevNo	Revision note	Date	Signature	Checked
A				

NOTES:

1. Operating voltage : 12-24V
2. Check voltage : 13.5V±0.1V
3. Check temp °C : 20°C±5°C
4. Operating temperature : -20°C to 85°C
5. Power consumption : 75mA
6. Certification : CE、FCC
7. Ingress Protection Ratings (IP) : IP65
8. Display range : E-1/2-F
9. Input/Output range : 0-5V, 0-180Ω, 240-30Ω

RoHS



UNIT: mm

		馥儀電機有限公司 FRUI Electric Co., Ltd. 瑞克儀錶有限公司 RICO Instrument Co., Ltd.	
FILE NAME	52 MXS FL Datasheet.dwg	SHEET	SCALE
SIZE	57.2mm X 51.8mm		1:1
DRAWN	28/11/2018		
CHECK	Bruce Chen		
APPR.	28/11/2018		
ISSUED	28/11/2018		
REV	A	DWG NO	52mm MXS FL - A
CONTRACT NO			

NO.	PART NAME	DESCRIPTION	COLOR	Q'TY	REMARKS
4	Socket	Plastic	White	1	
3	Housing	ABS	Black	1	
2	Lens	Acrylic	Transparent	1	Visual Area
1	Bezel	Stainless Steel	Silver	1	