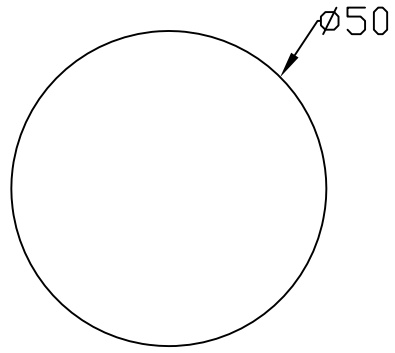


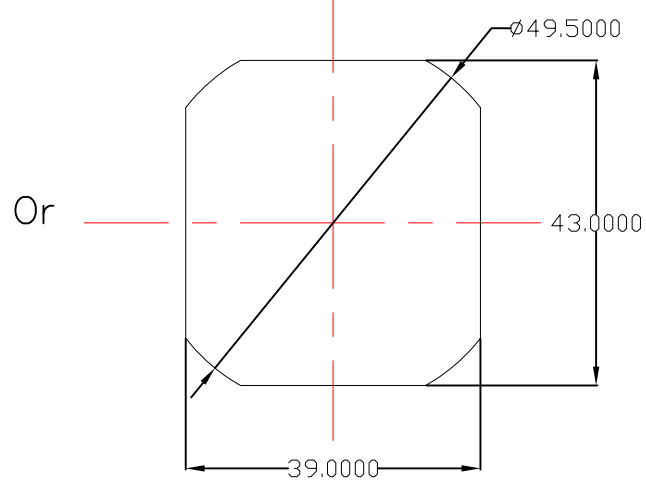
RevNo	Revision note	Date	Signature	Checked
A				

NOTES:

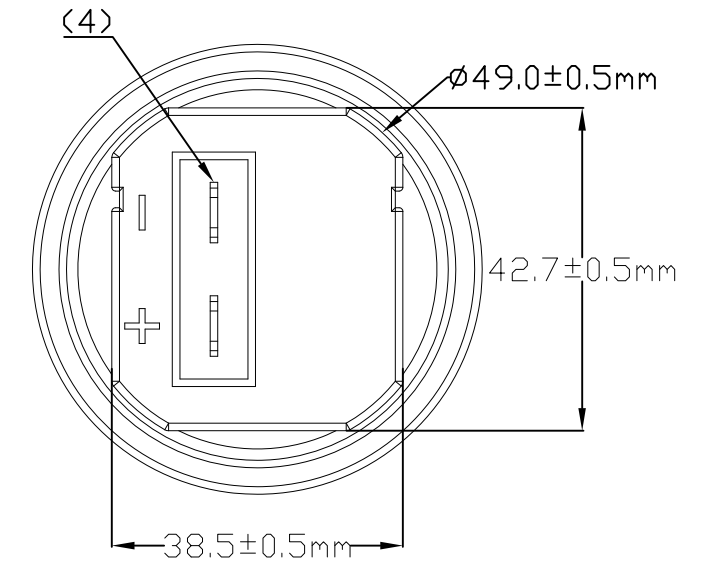
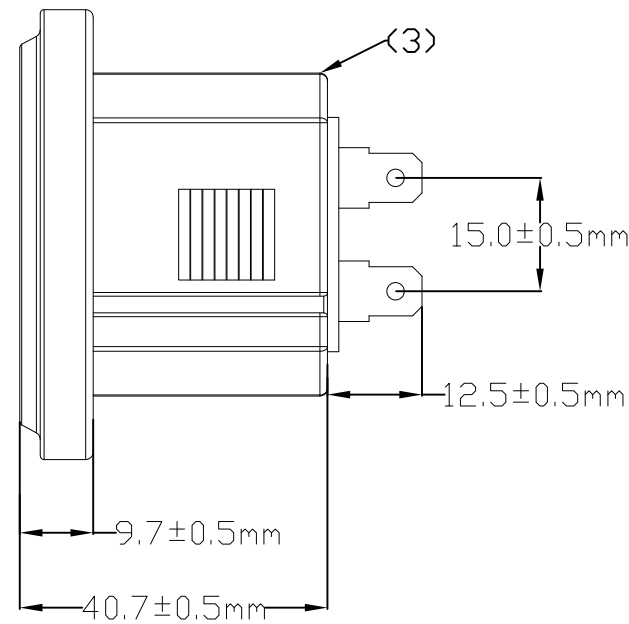
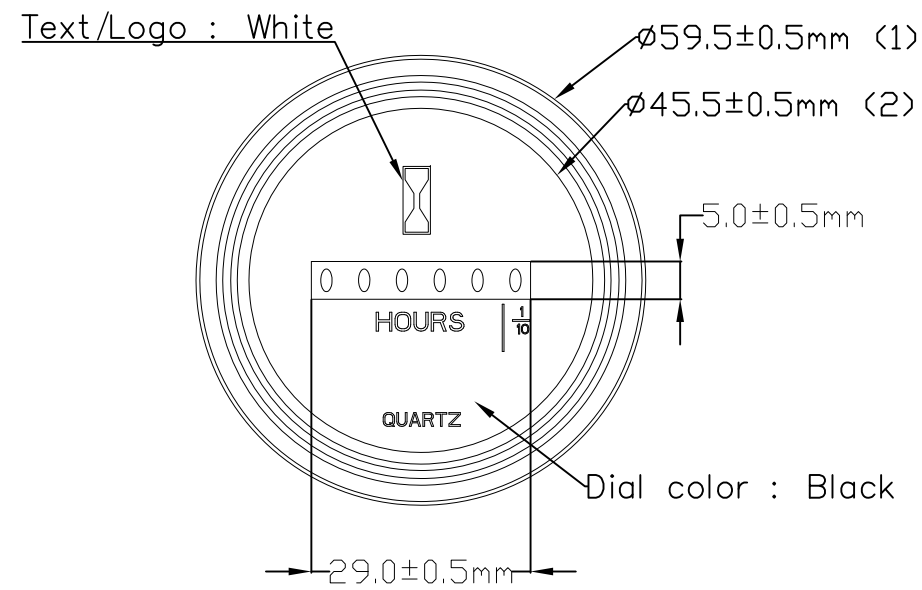
1. Operating voltage : DC6-80V
2. Check voltage : 12.0V±0.1V
3. Check temp °C : 20°C±5°C
4. Operating temperature : -20°C to 65°C
5. Power consumption : 11mA
6. Certification : CE
7. Both positive and negative poles can work normally
8. Display range : 99999.9, 0.1=6Min
9. Timing cannot be reset to zero



Recommended Panel Cut-Out



RoHS



UNIT: mm



瑞克儀錶有限公司 RICO Instrument Co., Ltd.

FILE NAME	B02-H009 Datasheet.dwg	SHEET	SCALE
SIZE	59.5mm X 53.2mm		1:1
DRAWN	02/06/2020		
CHECK	Bruce Chen		
APPR.	02/06/2020		
ISSUED	02/06/2020		
REV	A	DWG NO	B02-H009 - A
CONTRACT NO			

NO.	PART NAME	DESCRIPTION	COLOR	Q'TY	REMARKS
4	Socket	Copper	Silver	2	
3	Housing	ABS	Black	1	
2	Lens	Acrylic	Transparent	1	Visual Area
1	Bezel	Strong iron	Black	1	