

RoHS

ACCURACY:

1.TOTAL ERROR BAND : $\pm 1.3\%$ FS(-30~125°C)

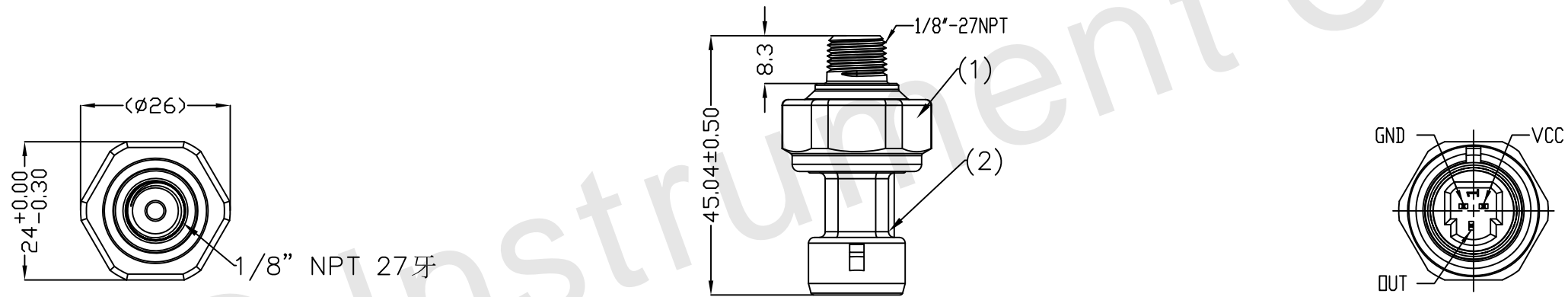
NOTE:

TOTAL ERROR BAND IS ACCURAY IN WHOLE TEMPERATURE AND PRESSRE RANGE DURING SERVICE LIFE.

RevNo	Revision note	Date	Signature	Checked
A				


SPECIFICATIONS:

- 1.Operating voltage : 4.5~5.5V
- 2.Check voltage : 5V \pm 0.1V
- 3.Check temp °C : 20°C \pm 5°C
- 4.Operating temperature : -30°C to 125°C
- 5.Power consumption : 7.5mA
- 6.PROOF PRESSURE :10barG
- 7.BURST PRESSURE :11barG
- 8.Output VOLTAGE : 0.5-4.5V
- 9.PRESSURE RANGE : 0~10barG



UNIT: mm

NO.	PART NAME	DESCRIPTION	COLOR	Q'TY	REMARKS
2	Waterproof connector	Plastic	Black	1	
1	Aluminum Shell	Aluminum	Silver	1	

 <p>瑞克儀錶有限公司 RICO Instrument Co., Ltd.</p>		SHEET		SCALE	
		FILE NAME		D02-A027 Datasheet.dwg	
SIZE		ø26mm X 45mm			
DRAWN		03/08/2020			
CHECK					
APPR.		03/08/2020			
ISSUED		03/08/2020			
REV		A			
CONTRACT NO		DWG NO			
		D02-A027			

RICO Instrument Co., Ltd.